



USB Power



USB LED light

USB LED light Specification

Item No	UE-AL100
Length	467mm
Color	silver
Package	blister
Current	<200mA
Brightness	>3000mcd x 10



Product Connecting

USB Port



USB LED Light (UE-AL100)

Remark: Picture in catalogue for reference only, color and specification according to real product.

UE-AL100 USB LED light

SPECIFICATIONS

- Flexible neck lets you position USB Light where you want it
- LED lasts up to 100,000 hours-anywhere, anytime
- No switches-virtually nothing to break
- Sleek, high-tech design in black or platinum color
- Small and lightweight-perfect for the executive on the go
- Fits easily into a briefcase or portfolio
- No external power source necessary-plugs into any USB port
- Uses less than 200mA of power
- Soft light illuminates your keyboard but won't disturb others
- White LED helps preserve night vision

UE-AL100 (USB LED Light)



Packing

Product weight	Package weight	Carton	Carton MEAS	GW	NW
43g	76g	70pcs/CTN	45x30x25cm	7.0kg/CTN	6.4kg/CTN
Blister Package size: 225 x 140 x 15mm					

Made-to-order Pack and Laser logo

We can offer made-to-order pack as client design (the card),and laser logo



Material and Size



WanTeng Electronic Technology Co.,Ltd

Website: <http://www.wantong3w.com>
 E-mail: sales@wantong3w.com
 Address: FL.2 B Tower,Wenzhou Hi-tech industry Park, WENZHO,CHINA.
 TEL: +86-577-86581061, 86581062 FAX: +86-577-86581063
 CONECT: MR ZHANG

Copyright 2007, WanTeng Electronic Technology Co.,Ltd
 Printed in China 04/2007

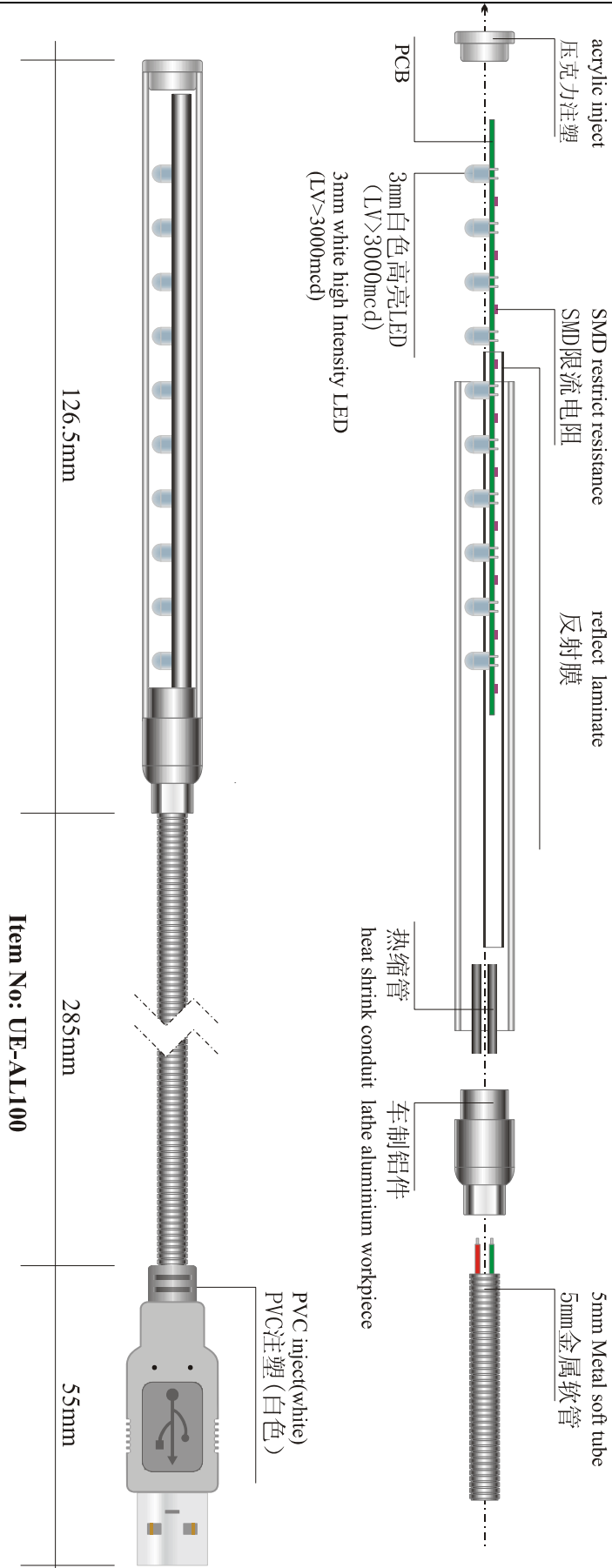
Manual Part No.



E0290-070409



RECYCLABLE Made in China





USB Power



USB LED 灯

USB LED 灯规格表

型号	UE-AL100
长度	467mm
颜色	银
包装	吸卡
电流	<200mA
亮度	>3000mcd X 10



注：所示图片供参考，颜色和规格以实际产品为准。

UE-AL100 USB LED 灯

特点:

- 柔性的金属波纹管可以做全方向转动
- 长寿命 LED，在任何情况下都可以达到 80,000 小时以上
- 无需开关---不会意外关闭
- 光滑，最新设计的金属铬颜色
- 体积小、重量轻，方便携带
- 非常容易放进公文包或文件夹
- 无需外部电源，直接从所插入的 USB 口取电
- 电力消耗小于 200mA
- 可以柔和照亮键盘而不会影响周围其他人
- 高亮白色 LED 可以保证黑暗中视野清晰

UE-AL100 (USB LED 灯)



包装

产品重量	包装后重量	外箱	箱规	毛重	净重
43g	76g	70pcs/箱	45x30x25cm	7.0kg/箱	6.4kg/箱
吸卡尺寸: 225 x 140 x 15mm					

客户定制包装和激光标识 (Laser Logo)

我们可以为客户定制纸卡或者其他包装设计，可以按照客户要求制作 logo



材料和尺寸



WanTeng Electronic Technology Co.,Ltd

网站: <http://www.wantong3w.com>
 Email: sales@wantong3w.com
 地址: 浙江省温州市高新技术产业园区创业园 B 幢 2 楼
 TEL: 0577-86581061, 86581062 FAX: 0577-86581063

Copyright 2007, WanTeng Electronic Technology Co.,Ltd
 Printed in China 04/2007

Manual Part No.



63250-070409



RECYCLABLE
Made in China